

# Air King



*The Right Connection™*

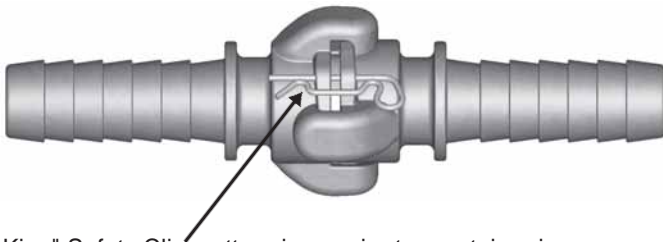
**SERVICE** - Dixon "Air King" couplings are recommended for use on air lines for virtually any type of pneumatic equipment. **The maximum recommended working pressure for Dixon "Air King" universal couplings is 150 PSI or less at ambient temperature (70° F).**

**FEATURES** - Dixon "Air King" fittings have a universal head which is identical for all parts (hose ends, male NPT and female NPT) within the 1/4" to 1" range. This enables any two fittings (within that range) to be directly connected regardless of hose shank or threaded size. Dixon "Air King" couplings with interlocking ferrule also have the standard "Air King" universal head. This enables any of the "Air King" with ferrule couplings to connect directly to any other "Air King" coupling within the 1/4" - 1" range. The ferrule comes attached to the fitting for easy installation. The ferrules can be swaged or crimped depending on your coupling installation equipment. Swaging and crimping dimensions are provided on page 9 of this brochure.

**CONNECTION** - Connections are made by pushing two heads together and turning one quarter turn in a clockwise direction. When this is done and the heads have seated properly, the small holes through the flange on the side of each coupling head will line up. An "Air King" Safety Clip should be inserted at this point to assure the "Air King" couplings will not become accidentally disconnected. If a Safety Clip is not available, insert a cotter pin or wire type retainer through the holes. The fitting is now ready to be put into service.

**DISCONNECTION** - Remove the safety clip, cotter pin or wire. Press the heads firmly together and turn them counterclockwise. The heads will then separate. **NEVER attempt to disconnect any hose while pressure is in the line.**

**INTERCHANGE** - Although "Air King" couplings may interchange with other manufacturers' fittings, **we do not recommend their use with other products.** Not all locking heads are made to the same standards as Dixon "Air King". Use with other brands of fittings may create an unsafe condition, due to poor design or worn equipment.



The use of an "Air King" Safety Clip, cotter pin, or wire type retainer is necessary to assure "Air King" Universal Couplings will not become accidentally disconnected. This guarantees the fittings are properly connected as a safety clip or pin will not go through the holes in the mating flanges until the couplings are locked in place. Only one "Air King" Safety Clip or wire type retainer is required for each "Air King" Universal Coupling Assembly.

Synthetic cord Lanyards (not pictured) are available separately for fastening the Safety Clip to the locking head (see page 6).

**"Air King" available to meet pressure requirements as specified in A-A-59553 commercial item description superseding Mil Spec. WWC-633D.**

#### The Importance of "Whip Hose"

The constant vibration created by air tools, like air drills and pavement breakers, is destructive to air hose couplings, especially the quick-acting type. To provide a safer working environment, connect one end of a 3' to 10' length of air hose to the tool using Dixon's "No. 3500" Steel Nipple. This nipple is designed to specifically handle vibration applications. Connect the other end of hose to the air supply using the standard quick-acting coupling. The "Whip Hose" should remain permanently connected to the tool.

## SAFETY

Dixon's couplings and retention devices are designed to work safely for their intended use. The selection of the proper hose, coupling, and retention devices; and the proper application of the coupling to the hose are of utmost importance. Users must consider the size, temperature, application, media, pressure, and hose and coupling manufacturer's recommendations when selecting the proper hose assembly components. Dixon recommends that all hose assemblies be tested in accordance with the Rubber Manufacturers Association's recommendations and be inspected regularly (before each use), to ensure that they are not damaged or have become loose.

Where safety devices are integral to the coupling, they must be working and utilized. The use of supplementary safety devices, such as safety clips and "King Cable" safety cables, are recommended. If any problem is detected, couplings must be removed from service immediately.

Dixon is always available for consultation concerning the couplings and accessories we sell. We will suggest the appropriate fittings, test those applications when necessary, and train distributors in assembly procedures. We strongly recommend that distributors and end users make use of these services.

Dixon can be contacted at 1-800-355-1991.

**SAFETY**  
**ALERT**

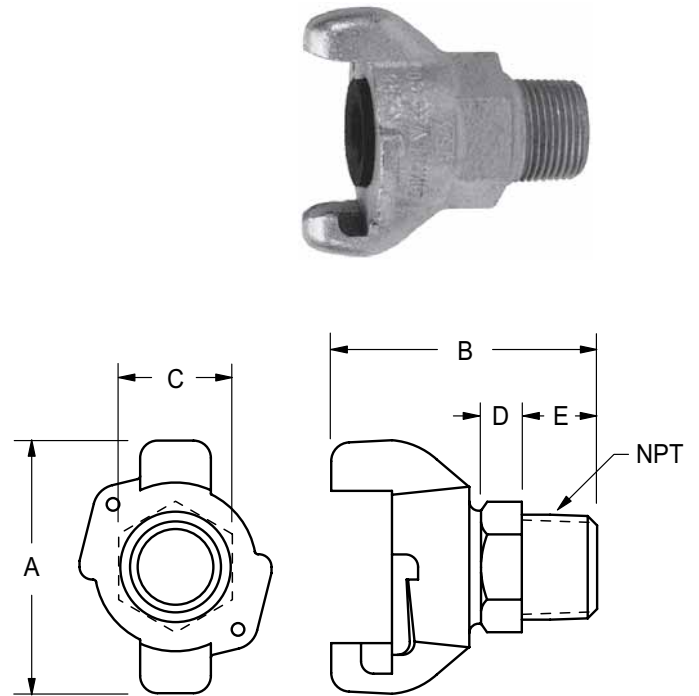
## Male N.P.T. Ends

- Male NPT thread with hex for a wrench.
- Available in malleable iron, brass or 316 stainless steel (1/4" not available in Stainless Steel).
- Available in sizes 1/4" to 1".

Size	Malleable Iron		Brass		316 Stainless Steel
	Part #	pkg qty	Part #	pkg qty	Part #
1/4"	<b>AMB1</b>	25	<b>ABB1</b>	25	----
3/8"	<b>AMB</b>	25	<b>ABB</b>	25	<b>RAMB</b>
1/2"	<b>AM2</b>	50	<b>AB2</b>	50	<b>RAM2</b>
3/4"	<b>AM7</b>	50	<b>AB7</b>	50	<b>RAM7</b>
1"	<b>AM12</b>	50	<b>AB12</b>	50	<b>RAM12</b>

### Dimensions

Size	A	B	C	D	E	NPT
1/4"	2 1/2"	2 9/16"	1"	7/16"	5/8"	1/4"
3/8"	2 1/2"	2 9/16"	1"	7/16"	5/8"	3/8"
1/2"	2 1/2"	2 11/16"	1 1/8"	3/8"	13/16"	1/2"
3/4"	2 1/2"	2 13/16"	1 3/8"	3/8"	7/8"	3/4"
1"	2 1/2"	2 7/8"	1 1/2"	3/8"	7/8"	1"



All dimensions are nominal.

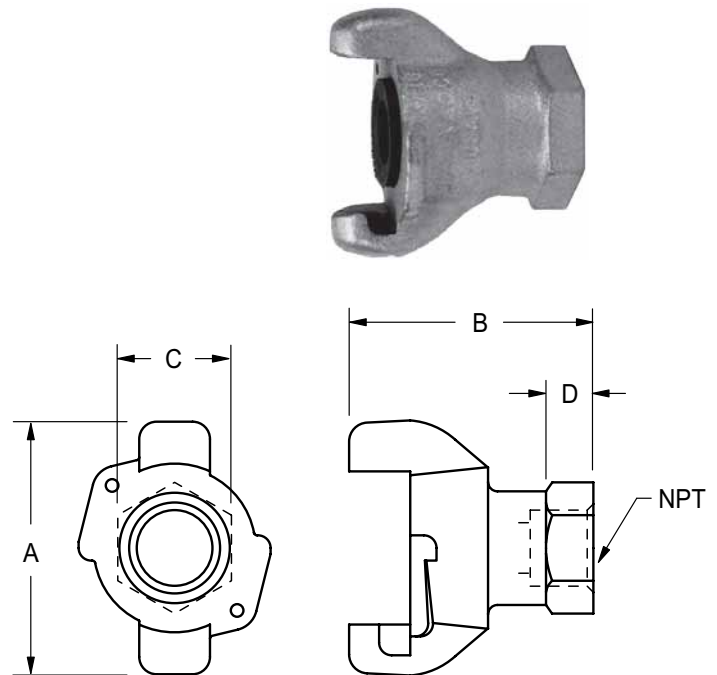
## Female N.P.T. Ends

- Female NPT thread with hex for a wrench.
- Available in malleable iron, brass or 316 stainless steel (1/4" not available in Stainless Steel).
- Available in sizes 1/4" to 1".

Size	Malleable Iron		Brass		316 Stainless Steel
	Part #	pkg qty	Part #	pkg qty	Part #
1/4"	<b>AMC1</b>	25	<b>ABC1</b>	25	----
3/8"	<b>AMC</b>	25	<b>ABC</b>	25	<b>RAMC</b>
1/2"	<b>AM3</b>	50	<b>AB3</b>	50	<b>RAM3</b>
3/4"	<b>AM8</b>	50	<b>AB8</b>	50	<b>RAM8</b>
1"	<b>AM13</b>	50	<b>AB13</b>	50	<b>RAM13</b>

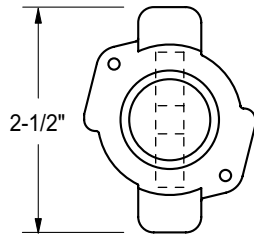
### Dimensions

Size	A	B	C	D	NPT
3/8"	2 1/2"	2 7/16"	1 1/8"	3/8"	1/4"
1/2"	2 1/2"	2 7/16"	1 1/8"	3/8"	3/8"
5/8"	2 1/2"	2 7/16"	1 1/8"	3/8"	1/2"
3/4"	2 1/2"	2 1/2"	1 7/16"	3/8"	3/4"
1"	2 1/2"	2 1/16"	1 5/8"	3/8"	1"

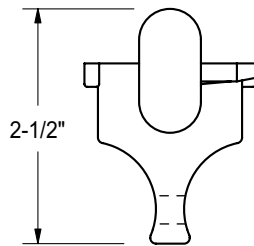
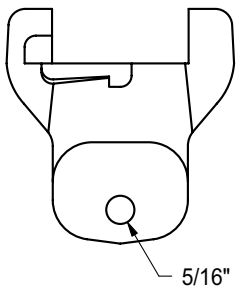


All dimensions are nominal.

## Blank Ends



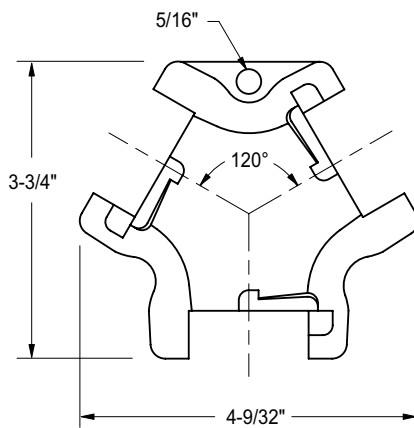
- Blank end fittings have no outlet and are used to block the line at any coupling point.
- The end opposite the coupling head is flat, with an eye for a chain to secure the fitting when not in use.
- Available in malleable iron, brass and 316 stainless steel.



Malleable Iron		Brass		316 Stainless Steel
Part #	pkg qty	Part #	pkg qty	Part #
<b>AM0</b>	25	<b>AB0</b>	25	<b>RAM0</b>

*All dimensions are nominal.*

## Triple Connections



- Triple connection consists of three universal coupling heads in a "Y" form that provides an extra outlet when connected to the line.
- Available in malleable iron or brass.

Malleable Iron		Brass	
Part #	pkg qty	Part #	pkg qty
<b>AM10</b>	25	<b>AB10</b>	25

*All dimensions are nominal.*

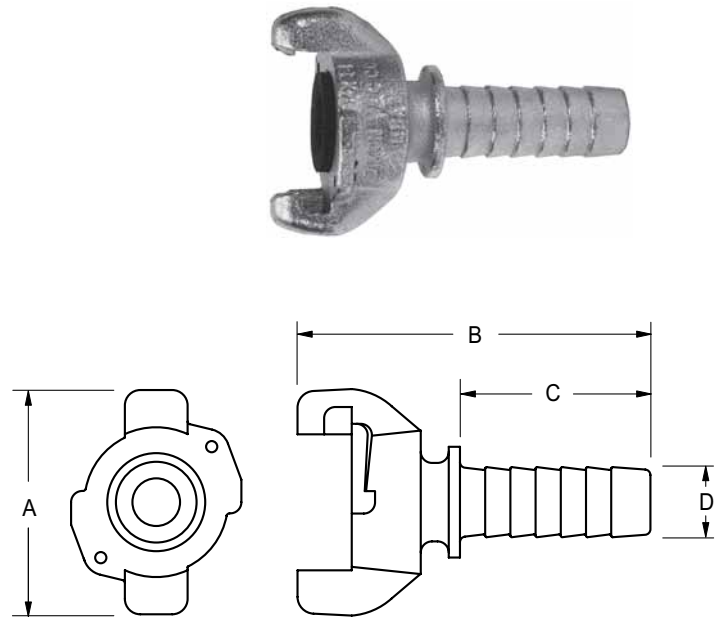
## Hose Ends

- Shanks are long and deeply corrugated.
- Available in malleable iron, brass or 316 stainless steel (5/8" not available in Stainless Steel).
- Available in sizes 3/8" to 1".

Size	Malleable Iron		Brass		316 Stainless Steel
	Part #	pkg qty	Part #	pkg qty	Parte #
3/8"	<b>AMH</b>	25	<b>ABH</b>	25	<b>RAMH</b>
1/2"	<b>AM1</b>	50	<b>AB1</b>	50	<b>RAM1</b>
5/8"	<b>AM5</b>	50	<b>AB5</b>	50	
3/4"	<b>AM6</b>	50	<b>AB6</b>	50	<b>RAM6</b>
1"	<b>AM11</b>	50	<b>AB11</b>	50	<b>RAM11</b>

### Dimensions

Size	A	B	C	D
3/8"	2 1/2"	3 1/2"	1 11/16"	7/16"
1/2"	2 1/2"	3 7/16"	1 5/8"	17/32"
5/8"	2 1/2"	4 1/4"	2 7/16"	11/16"
3/4"	2 1/2"	3 15/16"	2 1/8"	25/32"
1"	2 1/2"	4 25/32"	2 13/16"	1 1/16"



*All dimensions are nominal.*

## "AIR KING" Clamps

- Air King clamps should be used on all Air King shank fittings. Clamp fingers engage behind the universal head to anchor the coupling to the hose. The ridges on the underside provide additional retention.
- Available in zinc plated malleable iron in sizes 3/8" to 1".

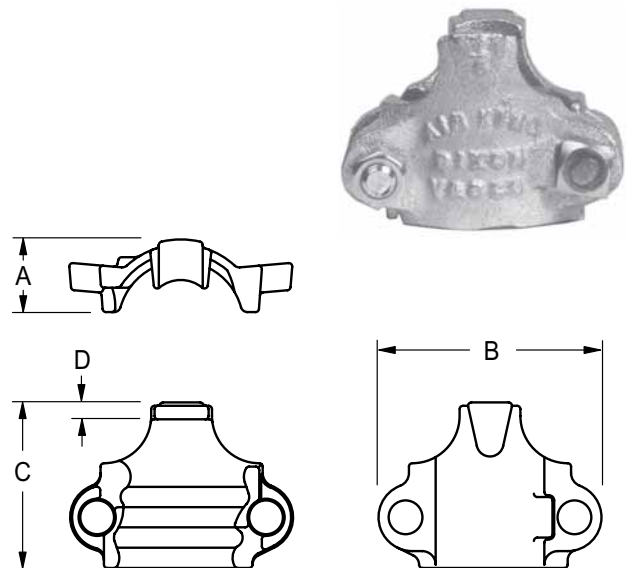
Size	Hose O.D.'s		Torque*	Part #	pkg qty
	From:	To:			
3/8"	11/16"	7/8"	6	<b>CD</b>	100
1/2"	1"	1 3/16"	6	<b>A4</b>	50
3/4"	1 1/8"	1 5/16"	12	<b>A9</b>	50
1"	1 5/16"	1 1/2"	12	<b>A10**</b>	50
1"	1 1/2"	1 13/16"	21	<b>A14</b>	50

\* Recommended torque rating in ft. lbs.

\*\* Can be used with **AM6** and **AM11**.

### Dimensions

Size	A	B	C	D
3/8"	15/32"	1 3/8"	1 7/16"	1/8"
1/2"	11/16"	2 1/16"	1 17/32"	5/32"
3/4"	7/8"	2 1/2"	1 21/32"	1/8"
1"	7/8"	2 19/32"	1 15/16"	9/32"
1"	1"	3 1/32"	2 1/4"	5/32"



*All dimensions are nominal.*

## "AIR KING" Safety Pins, Clips, Lanyards and Washers

The use of an "Air King" Safety Clip or wire type retainer is necessary to assure "Air King" Universal Couplings will not become accidentally disconnected. This guarantees the fittings are properly connected as the pin will not go through holes in mating flanges until the couplings are locked in place. Only one "Air King" Safety Clip or wire type retainer is required for each "Air King" Universal Coupling.



- Heavy duty.
- Oversized.
- **Sold only in bags of 25.**

### "AIR KING" Safety Pins

Wire Diameter	Part #
.058	<b>AKSP1</b>
.091	<b>AKSP25</b>



- Same size for all coupling sizes.
- **Sold only in bags of 25.**

### Standard Safety Clips

Part #
<b>AC1</b>



- Same size for all coupling sizes.

### Stainless Steel Clips

Part #
<b>AC7</b>



- Same size for all coupling sizes.
- Synthetic cord
- **Sold only in bags of 25.**

### Lanyards

Part #
<b>ACL8</b>



- Rubber temperature range: **-20° F to 160° F.**
- Neoprene temperature range: **-20° F to 190° F.**
- Neoprene is oil resistant.
- Same size for all coupling sizes.
- **Sold only in bags of 50.**

### Washers

Description	Part #
Rubber	<b>AWR4</b>
Neoprene	<b>AWS6</b>

## "AIR KING" 4-Lug Quick Acting Couplings

### Rubber Washer for 4-lug

Part #
<b>AWR14</b>
Fits all sizes

Size	Malleable Iron		Brass		pkg qty
	Part #		Part #		
1-1/4"	<b>AM16</b>		<b>AB16</b>		25
1-1/2"	<b>AM21</b>		<b>AB21</b>		25
2"	<b>AM26</b>		<b>AB26</b>		10
1-1/4"	<b>AM18</b>		<b>AB18</b>		25
1-1/2"	<b>AM23</b>		<b>AB23</b>		25
2"	<b>AM28</b>		<b>AB28</b>		20

Rated to 150 PSI



Hose Ends



Female N.P.T. Ends

Not to be used for steam service.

NOTE: Safety clips are same size for both 2-lug and 4-lug Universal Couplings.

See page 6.

Use safety clips on all Universal Coupling applications.

**SAFETY**  
ALERT

**Optional package**  
quantity shown

## "BOSS" Clamps

Hose I.D. Size	Hose O.D.'s From: To:		Plated Malleable Iron		Stainless Steel		Brass	
			Part #	pkg qty	Part #	Torque**	Part #	Torque**
1-1/4"	1-32/64"	1-50/64"	<b>BU18</b>	10	--	40	--	--
1-1/4"	1-44/64"	1-56/64"	<b>187*</b>	10	--	21	--	--
1-1/4"	1-50/64"	2-6/64"	<b>BU19</b>	10	--	40	--	--
1-1/4"	1-56/64"	2-4/64"	<b>206*</b>	20	--	21	--	--
1-1/4"	2-8/64"	2-24/64"	<b>B19</b>	10	<b>RB19</b>	40	<b>BB19</b>	28
1-1/2"	1-52/64"	2"	<b>BU22</b>	10	--	40	--	--
1-1/2"	2"	2-14/64"	<b>B22</b>	10	--	40	--	--
1-1/2"	2"	2-8/64"	<b>212*</b>	10	--	21	--	--
1-1/2"	2-4/64"	2-16/64"	<b>225*</b>	10	--	40	--	--
1-1/2"	2-12/64"	2-24/64"	<b>BU24</b>	10	<b>RBU24</b>	40	<b>BBU24</b>	28
1-1/2"	2-24/64"	2-36/64"	<b>B24</b>	10	<b>RB24</b>	40	<b>BB24</b>	28
1-1/2"	2-36/64"	2-48/64"	<b>B25</b>	10	--	40	--	--
2"	2-16/64"	2-32/64"	<b>250* †</b>	10	--	40	--	--
2"	2-22/64"	2-34/64"	<b>BU28</b>	10	--	60	--	--
2"	2-32/64"	2-48/64"	<b>275* †</b>	10	--	40	--	--
2"	2-32/64"	2-50/64"	<b>BU29</b>	10	<b>RBU29</b>	60	<b>BBU29</b>	40
2"	2-48/64"	3-4/64"	<b>B29</b>	10	<b>RB29</b>	60	<b>BB29</b>	40
2"	2-48/64"	3-4/64"	<b>306* †</b>	10	--	60	--	--
2"	3-6/64"	3-28/64"	<b>B30</b>	5	--	60	--	--



4-Bolt Type

2 Gripping Fingers



4-Bolt Type

4 Gripping Fingers\*

\* 4 gripping fingers.

\*\* Torque applies to plated malleable iron and stainless steel clamps.

- The bolts used in the "Boss" interlocking clamps are not standard bolts. They vary from standard bolts in their length, diameter, overall thread length and material hardness. These bolts can be retorqued, but it is **not** recommended that the bolts or clamps be reused, as they are designed for a single bend only. Dixon recommends using only factory supplied replacement bolts.
- Torque values for clamps are based on "dry bolts". The use of lubricant on bolts will adversely effect clamp performance.
- Do not lubricate nuts and bolts.
- Recommended torque rating in ft. lbs.

**SAFETY**  
ALERT

**SAFETY**  
ALERT

**Optional package**  
quantity shown

## In-Line Lubricators

Designed to protect portable or stationary air tools by efficiently oiling the tool mechanisms. Each time an air tool is operated, a fine mist of oil is injected into it along with the air from the compressor. Installation is recommended within 25 feet of the tool to be lubricated. Refer to the arrow for proper air flow direction. Transparent sight disc allows visual inspection of oil level. Oil flow is regulated by screwdriver screw adjustment. Not recommended for constant flow applications. Minimum flow rate is 30 SCFM.



NPT Size	Oil Capacity	Maximum Working Pressure	Air Flow at 70 PSI	Part #
1/2"	1.4 fluid ozs.	500 p.s.i.g.	30 s.c.f.m.	<b>PL300</b>
3/4"	3.7 fluid ozs.	200 p.s.i.g.	70 s.c.f.m.	<b>PL400</b>
3/4"	11.0 fluid ozs.	300 p.s.i.g.	70 s.c.f.m.	<b>PL400L</b>
1"	16.0 fluid ozs.	250 p.s.i.g.	100 s.c.f.m.	<b>PL500</b>

### Type of oil to use

Use any petroleum-base, non-detergent light weight oil (SAE 10/150SSU) which will readily break up into a mist, i.e., Mobil DTE light or comparable oil. **Do not use any synthetic oil or oils containing additives or solvents.**

## Compressor "Y"



Description	Part #
1" FNPT x two 3/4" MNPT	<b>Y10075</b>

Converts a single supply source to a dual outlet.

## "AIR KING" with Ferrules

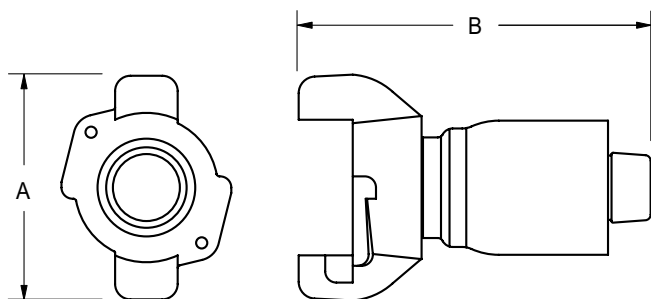


- Interchanges with other "Air King" fittings.
- Rated to **150 PSI** working pressure.
- Available in malleable iron and stainless steel.
- *Carbon steel ferrules.*
- Exclusive interlocking ferrule can be crimped or swaged depending on your coupling installation equipment (for crimp or swage diameter recommendations see page 9 of this brochure).

Size	O.D. Range		Part #	
	From:	To:	Malleable	Stainless
1/2"	27/32"	1 1/32"	<b>AM1WF</b>	----
3/4"	1 1/16"	1 11/32"	<b>AM6WF</b>	<b>RAM6WF</b>
1"	1 18/64"	1 34/64"	<b>AM11WF-1</b>	----
1"	1 30/64"	1 46/64"	<b>AM11WF</b>	----

### Dimensions

Size	A	B
1/2"	2 1/2"	3 7/16"
3/4"	2 1/2"	3 15/16"
1"	2 1/2"	4 25/32"



*All dimensions are nominal.*



## Crimped "AIR KING" Recommendation Guide

The chart at the right is only a guide. It will not apply to every coupling situation. In some instances alternative dies and crimping dimensions must be employed to ensure safety. Experience has shown that variances in the construction of similar hoses and couplings may cause some assemblies to react differently when crimped. It is not uncommon to find hose with an outer diameter that fluctuates from one end to the other or from production lot to production lot. These inconsistencies coupled with the inherent differences between textile or wire braid, hard or soft wall, the presence or absence of an internal spiral wire and the differences in hose coverings make it difficult to establish hard and fast rules. Therefore, its imperative that hose dimensions are accurately measured, assemblies are tested, and documentation is maintained.

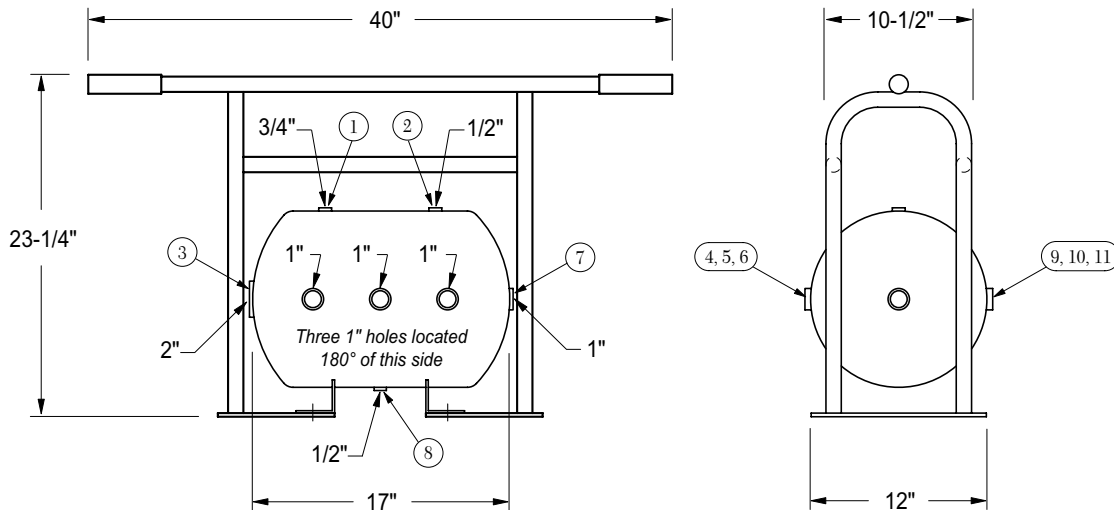
Hose Size	Part #	Fractional Hose O.D.	Swage Die Sizes	Die Part #	Crimp Diameter	% Reduction		
Size(I.D.): 1/2"	<b>AM1WF</b>	54/64	1 3/16 x 29/32	<b>1&amp;3/16D4</b>	0.906	18.3%		
		55/64	1 3/16 x 15/16	<b>1&amp;3/16D5</b>	0.937	13.2%		
		56/64				16.9%		
		57/64	1 3/16 x 31/32	<b>1&amp;3/16D3</b>	0.968	12.1%		
		58/64				15.5%		
		59/64	1 3/16 x 1	<b>1&amp;3/16D</b>	1.000	11.1%		
		60/64				14.4%		
		61/64				17.2%		
		Crimped Length: 1-1/4"		62/64	1 3/16 x 1 1/32	<b>1&amp;3/16D2</b>	1.031	13.4%
				63/64				16.1%
				1	1 3/16 x 1 1/16	<b>1&amp;3/16D1</b>	1.062	12.7%
				1-1/64				15.3%
				1-2/64	1 3/16 x 1 3/32	<b>1&amp;3/16D6</b>	1.093	12.0%
Size(I.D.): 3/4"	<b>AM6WF and RAM6WF</b>	1-4/64	1 1/2 x 1 5/32	<b>1&amp;1/2D6</b>	1.156	13.4%		
		1-5/64				17.3%		
		1-6/64	1 1/2 x 1 3/16	<b>1&amp;1/2D7</b>	1.187	11.9%		
		1-7/64				15.8%		
		1-8/64	1 1/2 x 1 7/32	<b>1&amp;1/2D5</b>	1.218	11.2%		
		1-9/64				14.6%		
		1-10/64				17.5%		
		1-11/64	1 1/2 x 1 1/4	<b>1&amp;1/2D4</b>	1.250	13.0%		
		1-12/64				16.2%		
		1-13/64	1 1/2 x 1 9/32	<b>1&amp;1/2D3</b>	1.281	12.3%		
		1-14/64				15.1%		
		1-15/64	1 1/2 x 1 5/16	<b>1&amp;1/2D2</b>	1.312	11.5%		
		1-16/64				14.4%		
		1-17/64				16.9%		
		1-18/64	1 1/2 x 1 11/32	<b>1&amp;1/2D</b>	1.343	13.5%		
		1-19/64				15.9%		
		1-20/64	1 1/2 x 1 3/8	<b>1&amp;1/2D1</b>	1.375	12.6%		
		1-21/64				15.0%		
1-22/64	1 1/2 x 1 13/32	<b>1&amp;1/2D8</b>	1.406	12.1%				
Size(I.D.): 1"	<b>AM11WF-1</b>	1-18/64	1 11/16 x 1 3/8	<b>1&amp;11/16D4</b>	1.375	16.7%		
		1-19/64				20.5%		
		1-20/64	1 11/16 x 1 13/32	<b>1&amp;11/16D5</b>	1.406	15.0%		
		1-21/64				18.6%		
		1-22/64	1 11/16 x 1 7/16	<b>1&amp;11/16D8</b>	1.437	13.7%		
		1-23/64				17.5%		
		1-24/64	1 11/16 x 1 15/32	<b>1&amp;11/16D6</b>	1.468	12.8%		
		1-25/64				16.1%		
		1-26/64	1 11/16 x 1 1/2	<b>1&amp;11/16D</b>	1.500	11.5%		
		1-27/64				14.7%		
		1-28/64				17.6%		
		1-29/64	1 11/16 x 1 17/32	<b>1&amp;11/16D2</b>	1.531	13.9%		
		1-30/64	1 7/8 x 1 17/32	<b>1&amp;7/8D8</b>	1.531	16.8%		
		1-31/64	1 7/8 x 1 9/16	<b>1&amp;7/8D5</b>	1.562	12.8%		
		1-32/64				15.4%		
		1-33/64	1 7/8 x 1 19/32	<b>1&amp;7/8D6</b>	1.593	12.0%		
		1-34/64				14.7%		
		Crimped Length: 1-1/2"	<b>AM11WF</b>	1-35/64	1 7/8 x 1 5/8	<b>1&amp;7/8D7</b>	1.625	11.1%
1-36/64						13.7%		
1-37/64						15.9%		
1-38/64	1 7/8 x 1 21/32			<b>1&amp;7/8D1</b>	1.656	12.9%		
1-39/64						15.1%		
1-40/64	1 7/8 x 1 11/16			<b>1&amp;7/8D</b>	1.687	12.4%		
1-41/64						14.5%		
1-42/64	1 7/8 x 1 23/32			<b>1&amp;7/8D2</b>	1.718	11.8%		
1-43/64						14.0%		
1-44/64	1 7/8 x 1 3/4			<b>1&amp;7/8D4</b>	1.750	11.3%		
1-45/64						13.3%		
1-46/64						15.1%		

## ASME Air Receiver Manifold



### Compressor Air Receiver:

- Built to ASME Code, National Board registered
- 7 gallon capacity
- **200 PSI** working pressure
- All openings are female NPT thread
- Safety yellow painted



### Dixon 1217AR-4AK Air Receiver Manifold Assembly with "Air King" Outlet Ports includes the following:

Part # / locations	Description
<b>1217AR-4</b>	7 gallon ASME Compressed Air Receiver
<b>1217 Frame</b>	1 Protective Frame
location 1	1 <b>HB2F6M</b> 3/4" Male x 1/4" Female Hex Bushing 1 <b>GL345</b> 0-300 PSI Gauge
location 2	1 <b>HB2F4M</b> 1/2" Male x 1/4" Female Hex Bushing 1 <b>SV200</b> Safety Pop-Off Valve
location 3	1 <b>GM28</b> 2" Male Spud 1 <b>B27SC</b> Wing Nut Cap
locations 4, 5, 6, 7, 9, 10, 11	7 <b>HB6F8M</b> 1" Male x 3/4" Female Bushings 7 <b>BCN75</b> 3/4" Brass Hex Nipples 7 <b>BBLV75</b> Ball Valves 7 <b>SCVS6</b> Safety Shut-Off Valves 7 <b>AM7</b> "Air King" Universal Couplings  4 <b>1SELCSX100</b> 45° Street Elbow (1 each in locations 4, 6, 9 and 11 only)
location 8	1 <b>HB2F4M</b> 1/2" Male x 1/4" Female Hex Bushing 1 <b>D04</b> 1/4" Drain Cock
<b>1217AR-4AK</b>	Air King Receiver Manifold <b>Complete Assembly</b>
<b>Tank and Frame ONLY</b>	
<b>1217AR-4FR</b>	7 gallon ASME Compressed Air Receiver with Frame



Through its divisions and affiliated companies, Dixon is recognized as the premier manufacturer and supplier of hose fittings and accessories spanning a wide range of industrial uses. Dixon's reach includes products for food, dairy processing, beverage and brewery, mobile tankers, mining, construction, chemical processing, petroleum, oilfields, refining, nuclear and manufacturing.



*The Right Connection™*

**Dixon Valve & Coupling Company**

800 High Street, Chestertown, MD 21620

Customer Service: 800.355.1991

Fax: 800.283.4966

**[www.dixonvalve.com](http://www.dixonvalve.com)**